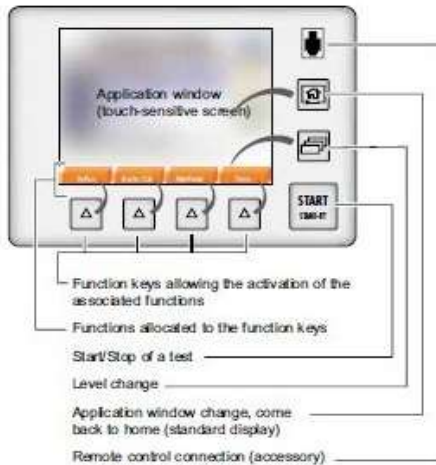


OPERATOR INTERFACE



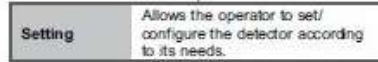
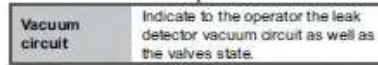
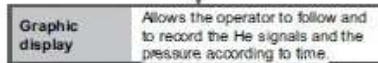
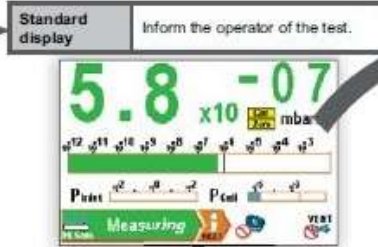
APPLICATION WINDOWS: SETTINGS



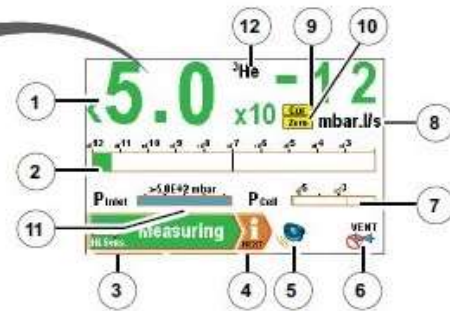
1	Reject set point, audio level, digital voice, He max.	C 401
2	Test methods - Test mode Correction factor Cycle end - Air inlet	C 402
3	Tracer gas - Calibrated leak.	C 403
4	Maintenance timer General detector counter Detector information	C 404
5	Hour - Date - Unit - Language - Password - Screen	C 405
6	Advanced functions - Calibration SD card - Input/Output	C 406

Menus arborescence: C 600

APPLICATION WINDOWS



APPLICATION WINDOWS: STANDARD DISPLAY



1	He signal digital display (green ≤ reject set point < red)
2	He signal bargraph display (adjustable scale)
3	Detector state and detection mode
4	Default information access
5	Mute function activated/desactivated indicator
6	Inlet vent function activated/desactivated indicator
7	Cell pressure bargraph display
8	Measure unit of the leak flow
9	Signal correction function activated indicator
10	Zero function activated indicator
11	Detector inlet pressure bargraph display (coherent unit with the leak flow unit)
12	Tracer gas (if He or H ₂)

INTERVAL MAINTENANCE OPERATIONS

Frequency*	Maintenance operations	
1000 h ⁽¹⁾	Clean filters (inlet filters, air inlet filter).	✓
4000 h ⁽¹⁾ or 6 months ⁽²⁾	Clean the vacuum lines, the valves and the gauges with alcohol - Dust the electronic boards and the fans; Partial maintenance of the analyzer cell with alcohol (this cleaning may be necessary in case of general internal contamination creating insulating deposits).	E 430
	Sniffer probe filter replacement if used.	C 406 E 500
8000 h ⁽¹⁾ or 1 year ⁽²⁾	Sniffer probe filter replacement if used.	G 200
15000 h ⁽¹⁾ or 2 years ⁽³⁾	Recalibration/exchange of the internal calibrated leak or calibrated leak used for calibration.	E 413
18000 h ⁽¹⁾ or 4 years ⁽²⁾	ATH 184 ball bearings replacement.	CS
	Purge filter replacement.	✓
	Complete maintenance primary pump ACP 40.	CS
500000 cycles	Change the valves.	E 530

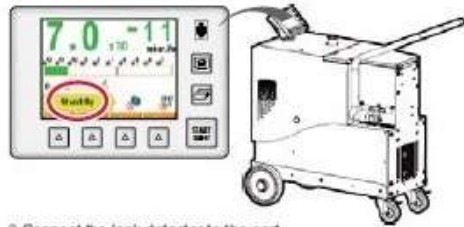
CS: Please contact Customer Service

*Service intervals: The service intervals given are for applications and work rates which conform to the normal operating conditions. If the machine is operating under more difficult conditions they can be shortened.

(1) running time
(2) running time or storage
(3) storage

BASICS OF HELIUM VACUUM TEST

1 Detector switched on («!»): wait until stand-by mode.



2 Connect the leak detector to the part or installation to be tested.



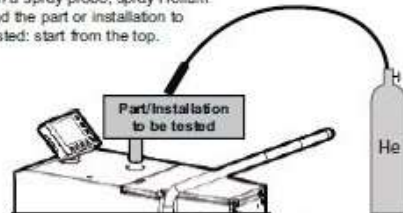
3 Start a cycle.



4 Wait Helium signal stabilization.



5 With a spray probe, spray Helium around the part or installation to be tested: start from the top.



6 Leak value measured and test result (accepted or rejected) according to the reject threshold display.



7 Stop the cycle.



FEW ACCESSORIES AVAILABLE

Accessories and part numbers: **A 400**

- Locking clamp DN 40 KF: part number 118801



- Bottle holder: part number 118444 (bottle at the customer's charge)



- Remote control (mbar /s): part number 106688



- Spray gun: part number 109951



- Inlet filter 20 µm: part number 105847



- Long distance sniffer probe



- He calibrated leaks (10⁻⁴ to 10⁻⁹ mbar/l/s range)



adixen
by PFEIFFER VACUUM

adixen Vacuum Products
98, avenue de Brogny BP 2069
74009 Annecy cedex France
Tel. (33) 4 50 65 77 77 Fax. (33) 4 50 65 77 89

GB-04261-Ed.03

www.adixen.com



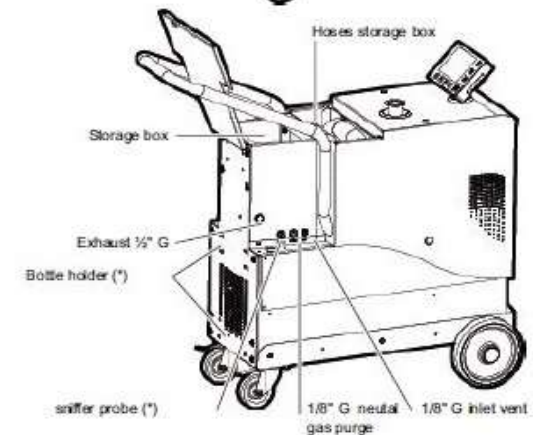
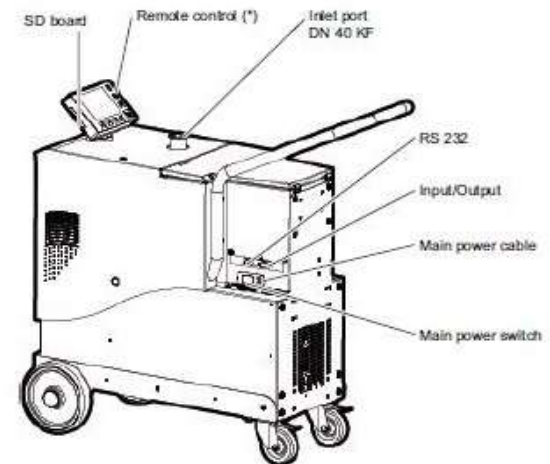
adixen
by PFEIFFER VACUUM

**ASM 380
MEMO**

References **A** refer to a specific chapter of the User's Manual.

For further information, please refer to the User's Manual supplied with your unit.

DETECTOR CONNECTIONS



(*) Accessory (A 400): at the customer's charge.