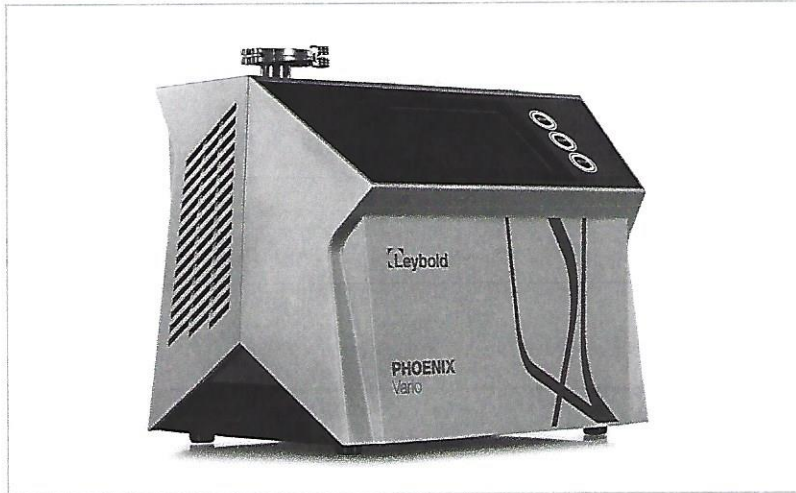


# PHOENIX Vario

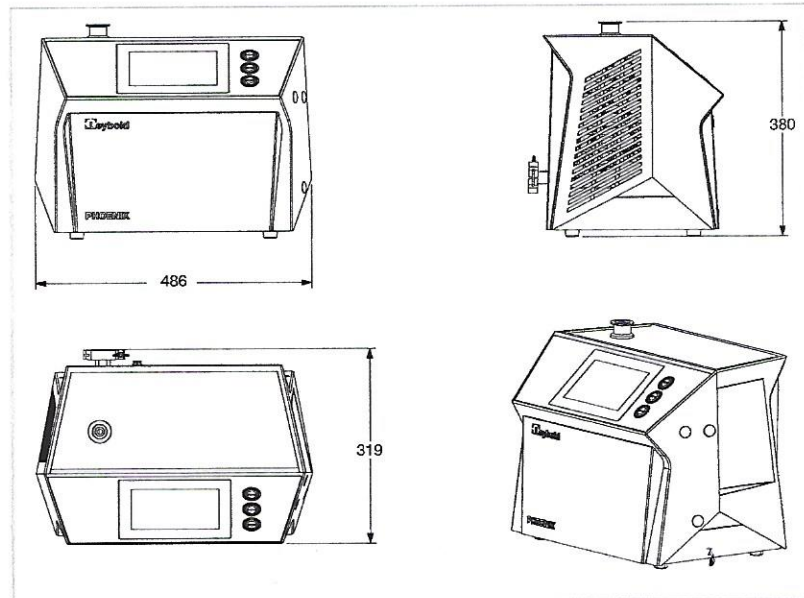


The PHOENIX Vario has no built-in backing pump, and therefore has the smallest installation space with maximum flexibility. The type and size of the backing pump can be chosen freely depending on applications and process requirements.

The PHOENIX Vario thus combines the excellent properties of the PHOENIX 4 series with the required pumping system. In that way both oil-sealed and dry backing pumps can be selected and the fore vacuum suction capacity can be adapted perfectly to the target application.

## Advantages to the User

- Application-optimized pumping speed
- Extremely small installation space
- Very light weight
- Highly reliable measuring system
- Simple, intuitive handling
- Very high detection sensitivity
- Convenient remote control via smartphone or tablet PC without software installation
- Variety of interfaces for optimal device communication
- Innovative color touch display
- Extremely short response times
- Internal data memory as well as simple data output via USB



Dimensional drawing PHOENIX Vario (Dimensions in mm)

## Technical Data

## PHOENIX Vario

Minimum detectable helium leak rate		
Vacuum mode	mbar x l/s	$\leq 5 \times 10^{-12}$
Sniffer mode	mbar x l/s	$< 1 \times 10^{-9}$ <sup>1)</sup>
Minimum detectable hydrogen leak rate		
Vacuum mode	mbar x l/s	$\leq 1 \times 10^{-8}$
Sniffer mode	mbar x l/s	$< 1 \times 10^{-7}$
Max. inlet pressure	mbar (Torr)	15 (11.25)
with partial flow pump set	mbar (Torr)	1000 (750)
Pumping speed (helium) at the inlet		
ULTRA mode	l/s	$> 3.1$
Time constant of the leak rate signal (blanked off, 63% of final value)		
	s	$< 1$
Units of measurement (selectable)		
Pressure		mbar, Pa, atm, Torr
Leak rate		mbar x l/s, Pa x m <sup>3</sup> /s, Torr x l/s, atm x cc/sec, sft <sup>3</sup> /yr
Sniffer mode		ppm, g/a eq, oz/yr eq
Leak rate measurement range	mbar x l/s	$1 \times 10^{-12}$ to $1 \times 10^{-1}$
Run-up time (after starting)	min	$\leq 2$
Mass spectrometer		180° magnetic sector field
Ion source		2 filaments; iridium/yttria-oxide
Detectable masses	amu	2, 3 and 4
Test port		1 x DN 25 ISO-KF
Dimensions (W x H x D)	mm	486 x 380 x 313
Weight	kg (lbs)	25 (55.12)
Available languages		English, German, Chinese, Japanese (Katakana), Korean Russian, French, Italian, Spanish and Polish

<sup>1)</sup> Depending on the used sniffer line and site conditions. Leakage rate signal after zero:  $1 \times 10^{-8}$  mbar x l/s when using the sniffer line SL 300 or SL 301

For further accessories see para. "Accessories for PHOENIX Quadro, PHOENIX Magno and PHOENIX Vario"